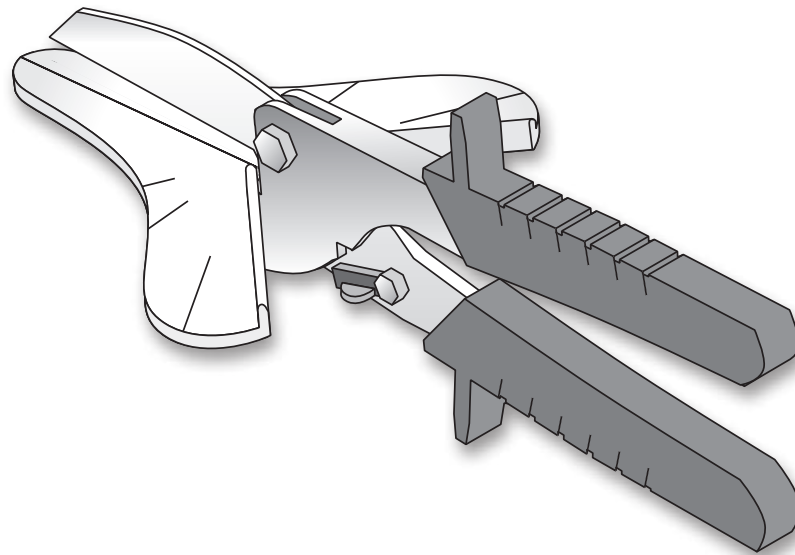


APU Mitre Cutting Shears

for precise miter cuts



The Trimming Shears with a wide locating surface and marks of common mitre angles allows handy miter cutting for plastic profiles.

Delivery form
on request