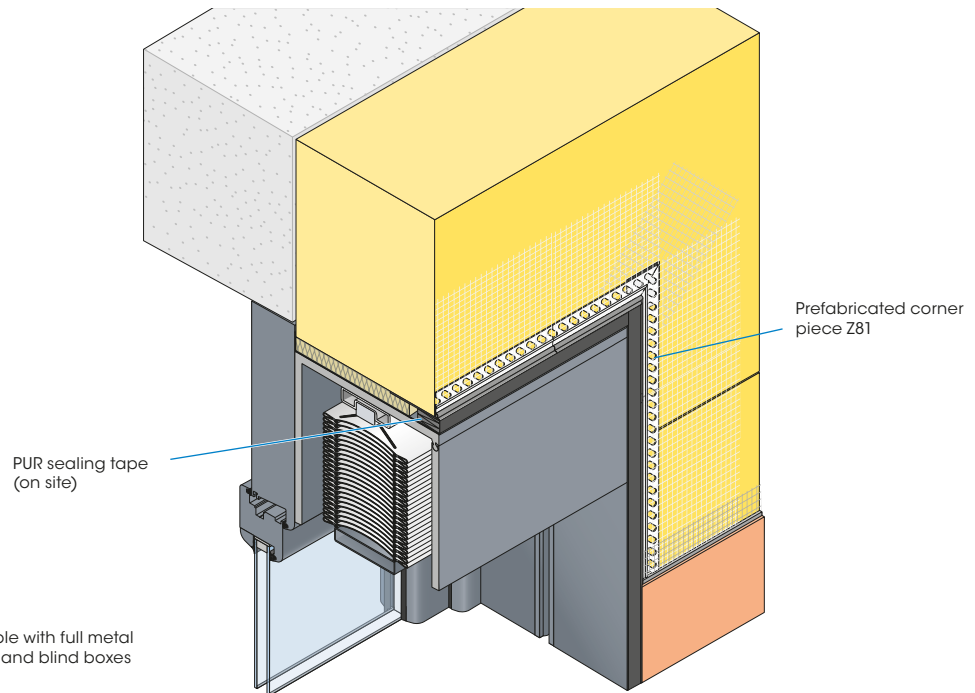


Profiles for external thermal insulation composite systems "ETICS"

**APU joint flank profile**  
with fabric 12.5 cm



The W81 joint flank profile is used for flush-fitting plaster connection of projecting components such as window and door elements or frames in ETIC systems. The profile forms a flush and clean plaster finish. It is placed directly to the insulation at a distance from the component. The driving rain-proof sealing (e.g. using a PUR sealing tape) is not included in the scope of delivery and must be carried out according to the planning and dimensioning of the respective manufacturer's specifications.

The profile is equipped with a 12.5 cm fabric strip. Each bar has a 10 cm protruding area of fabric in the longitudinal direction. The enclosed Z14 plug connectors connect the profiles flush in the joint area. The corners are constructed with Z81 pre-fabricated corner pieces.

**Available in packed units:**

15 bars of 2.50 m = 37.50 m  
PUR tape not included in the scope of delivery

Optional accessories:

Z81-000 APU joint flank profile corner piece  
5 pieces = 1 pack

For detailed information see technical information sheet or visit us on the Internet at [www.apu.ch](http://www.apu.ch).