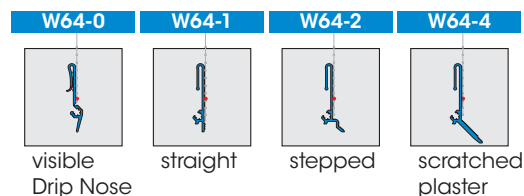
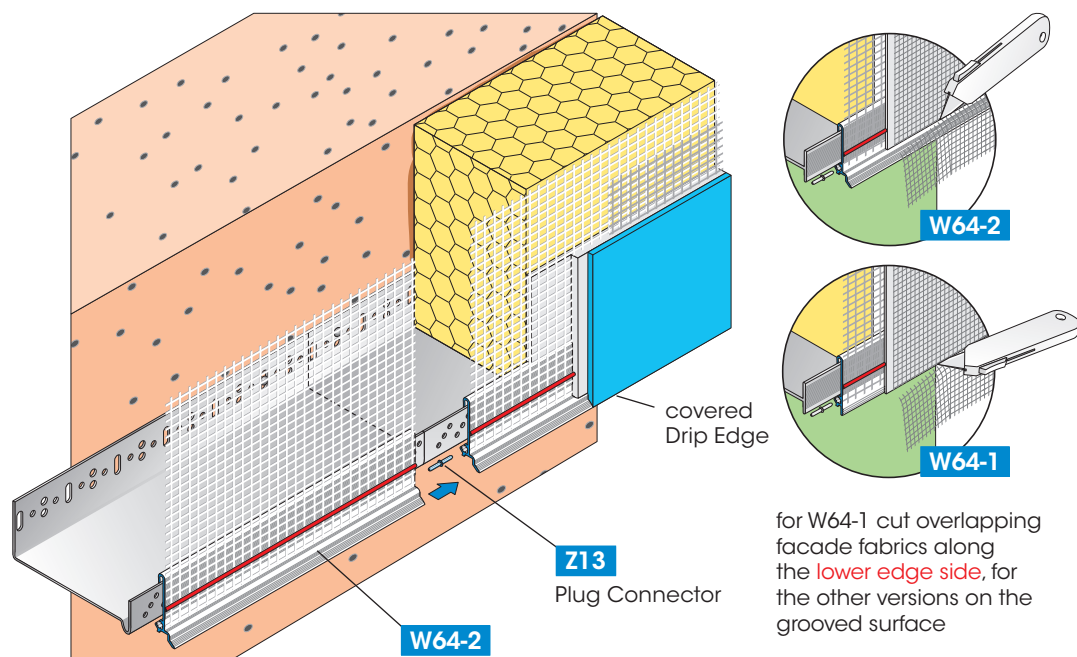


Profiles for external thermal insulation composite systems "ETICS"



**APU Base Insertion Profiles REPO-TEX**  
with fabric part



The plastic Base Insertion Profiles REPO-TEX are universally used for base rails with trough or T formed borders.

The use of these Base Insertion Profiles with a variety of Drip Edges prevents the plaster coating contacting the metal base rail. Movements between the plaster joint and the metal profile are buffered. Unwanted fabric overhangs beyond the plaster edge are avoided. The shape of the Drip Edge ensures well-directed waterguiding and drainage downwards.

The profiles are supplied with different shapes and Drip Edges according to the application purpose with visible or covered Drip Edges, slope, straight or stepped shape or for applications with scratched plaster.

The Base Insertion Profiles should be mounted overlapping the contact area between two base rails. The REPO-TEX profiles are joined together with the proven APU Plug Connector Z13 for flush aligned borders.

**Available packed unit:**

20 bars of 2.50 m = 50.00 m  
incl. 25 Plug Connectors

For detailed information see technical information sheet or visit us on the Internet at [www.apu.ch](http://www.apu.ch).

# Base Insertion Profiles with different metal base rails

(Examples of commercial metal rails)

**W64-0**

REPO-TEX-ZERO  
visible Drip Nose

**W64-1**

REPO-TEX-UNO  
straight, Drip Edge  
covered

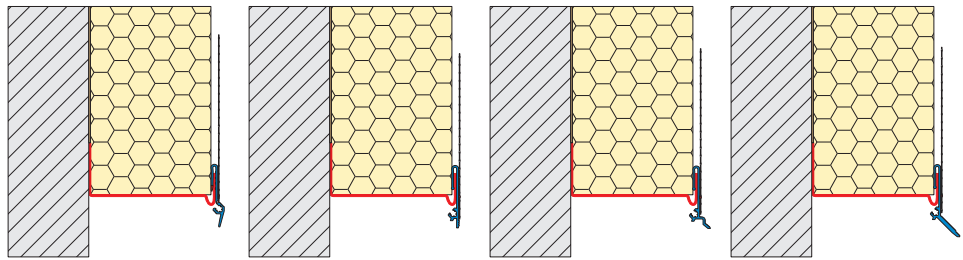
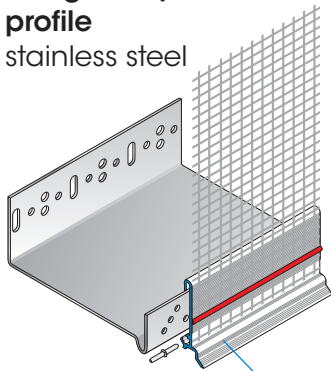
**W64-2**

REPO-TEX-DUE  
stepped, Drip Edge  
covered

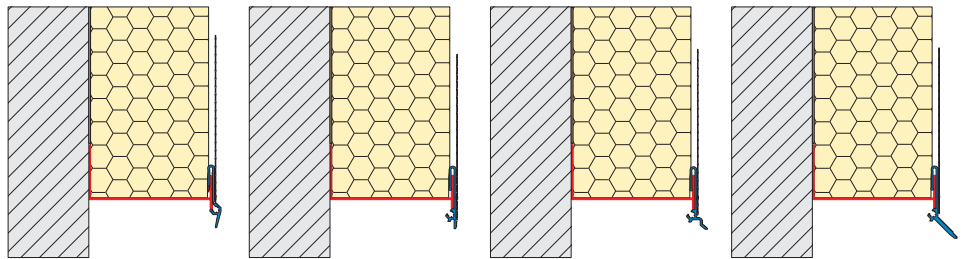
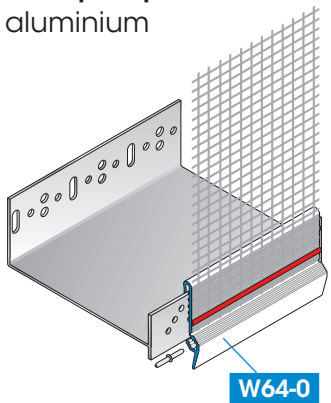
**W64-4**

REPO-TEX-QUATTRO  
for scratched plaster,  
Drip Edge covered

**Trough shaped profile**  
stainless steel



**T shaped profile**  
aluminium



**T shaped profile**  
extruded metal

