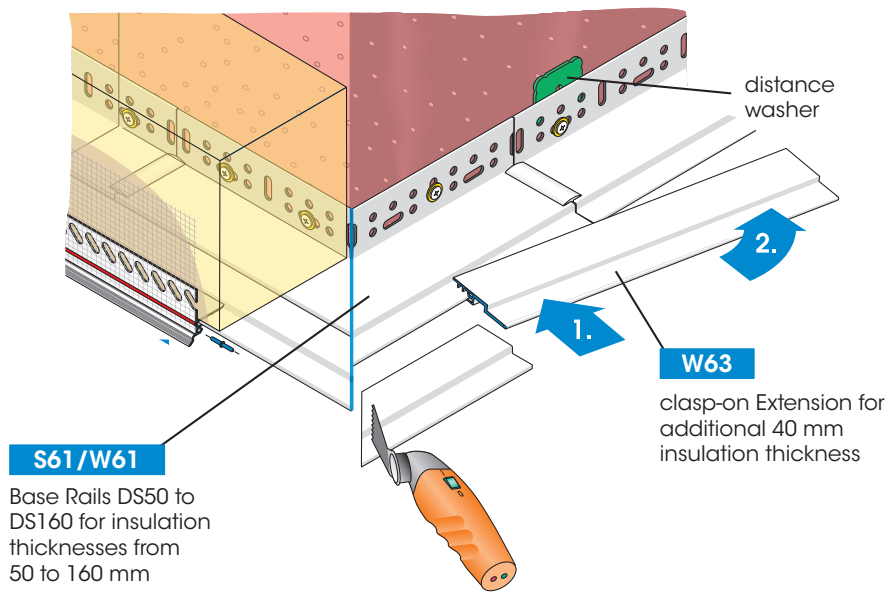
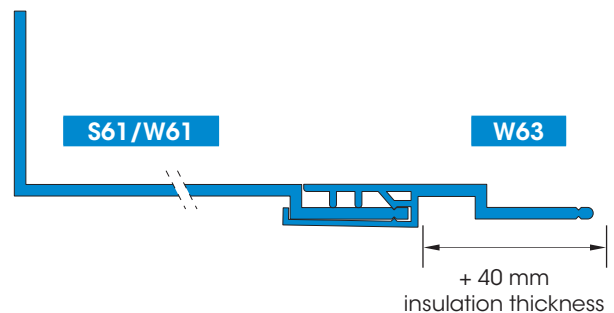
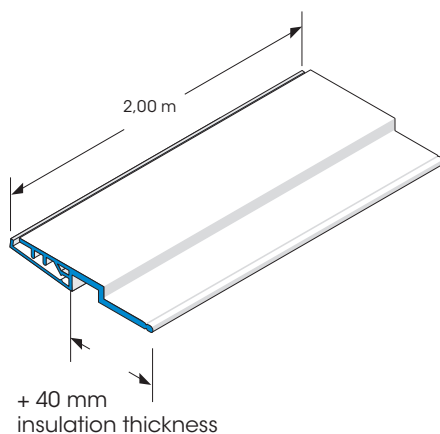


SOLI-TEX Extension

accessory to Base Rails S61, W61



Cut the plastic Base Rail Extension W63 with Trimming Shears or suitable tools and clasp it onto the finished mounted Base Rail (first clip on one end, then press the Extension towards the other end into position - see illustration - for easier working). Set the extensions always offset to the contact area between two Base Rails.



Available packed unit:
10 bars of 2.00 m = 20.00 m