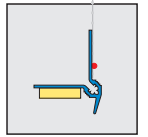
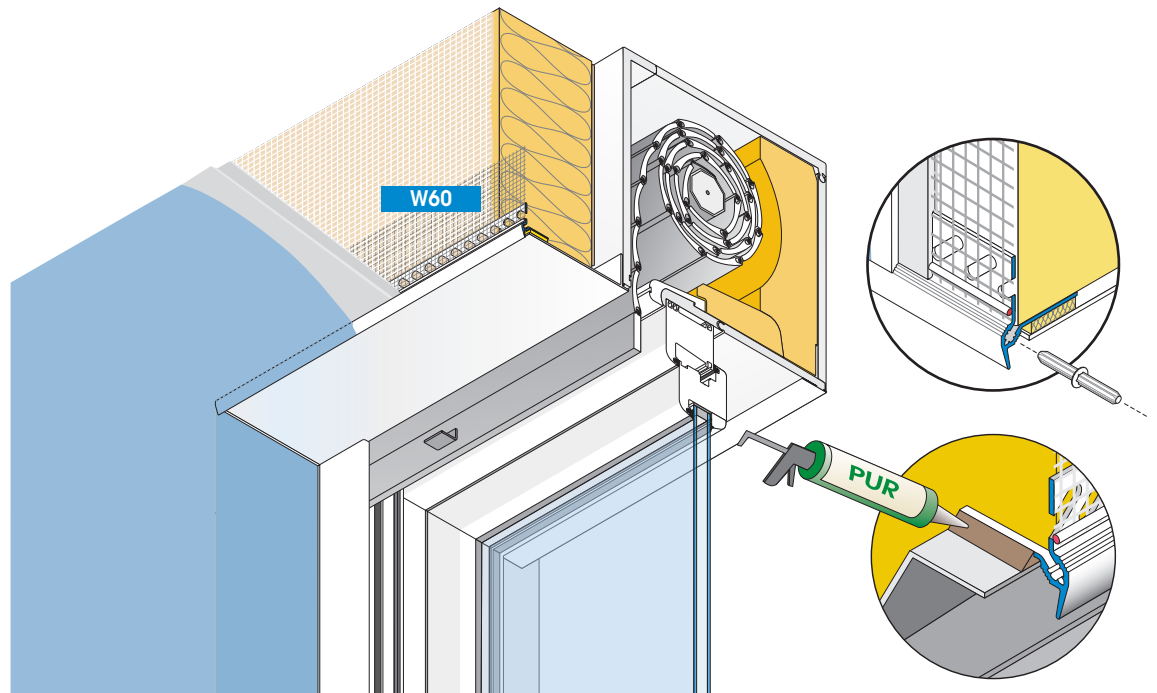


Profiles for external thermal insulation composite systems "ETICS"

W60



APU Connecting Profile SOLI-TEX
with waterguiding Drip Nose



This profile is suitable for plaster joints to shutter housings. The profile is glued on the projecting metal edge of the housing and connected between 2 profiles with APU Plug Connectors Z13. The APU Connecting Profile W60 can also be used at sheet metal transitions of stepped component parts (e.g. transition from house wall to garage).

If the profile is guided around corners use the therefore intended, pre-fabricated APU Corner Elements Z18-0.

Available packed unit:

10 bars of 2.10 m = 21.00 m
Plug Connectors are enclosed

For detailed information see technical information sheet or visit us on the Internet at www.apu.ch.