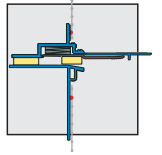
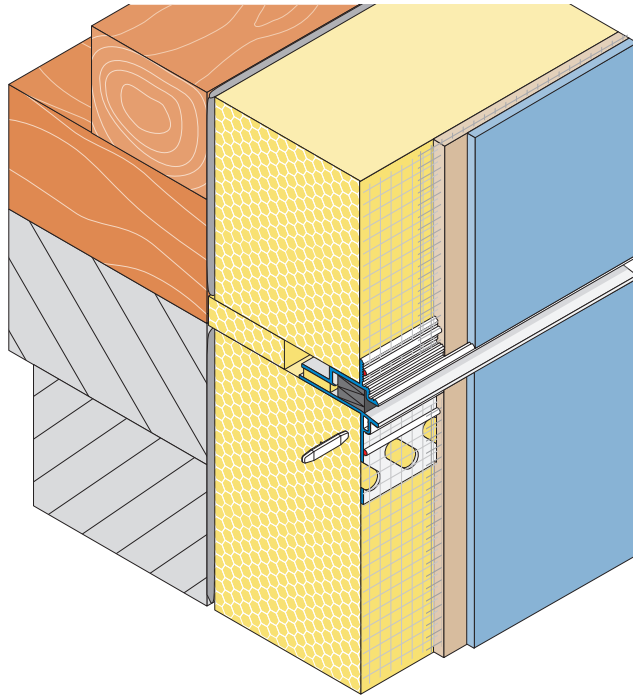


Profiles for external thermal insulation composite systems "ETICS"

W58



APU slide bearing profile PUR-FIX



The APU slide bearing profile is used in ETIC systems in buildings with various building materials (e.g. adding another level to solid construction with wood).

Because of the decoupled solution, movements (pressure: up to 4 mm, shearing strain: up to 2 mm) can be absorbed. Other profiles must be used for larger movements. The anticipated movements must be requested from the respective planner.

The APU slide bearing profile consists of 2 plastic profiles, each with a welded on fabric part of 12.5 cm width and one-sided fabric overhang in the longitudinal direction. The profile is equipped with a pre-compressed PUR sealing tape, which is released by removing the activation tab. It then absorbs movements and seals against driving rain. The PUR sealing tape is inserted into the profile and has an overhang for joint sealing at the end of the profile. Plug connectors ensure that the profiles are flush when connected.

Available packed unit:
5 bars of 2.00 m = 20,00 m

For detailed information see technical information sheet or visit us on the Internet at www.apu.ch.