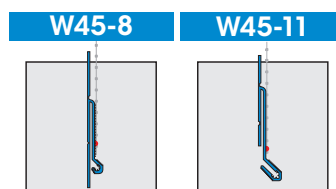
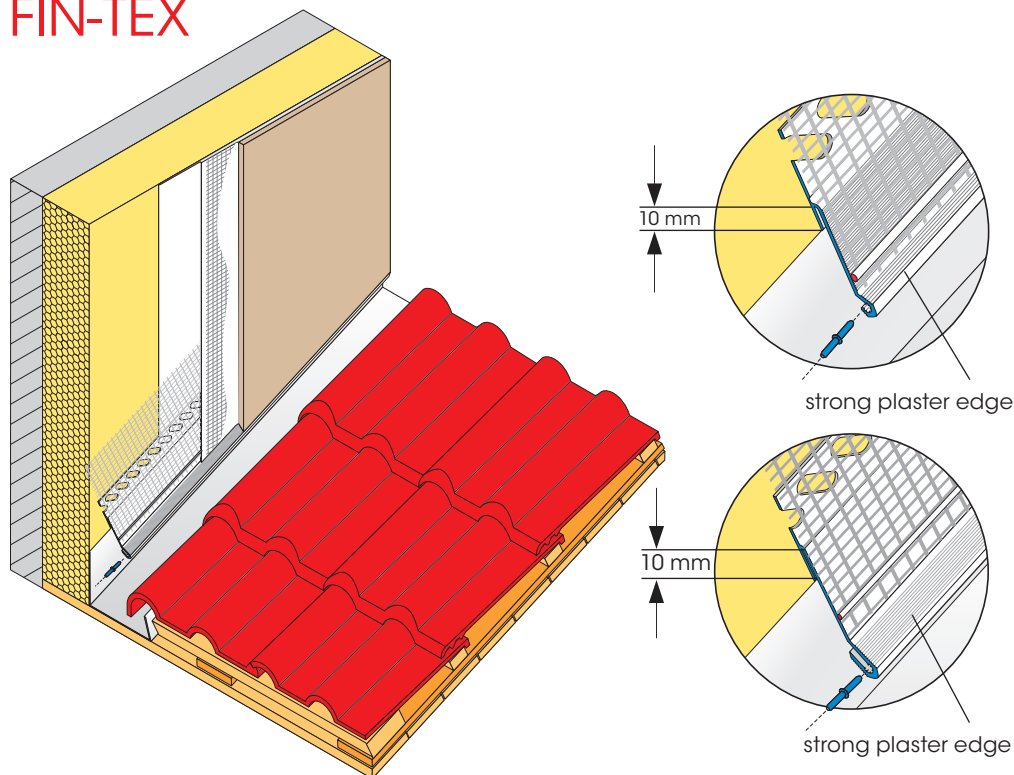


Profiles for external thermal insulation composite systems "ETICS"



APU Sheet Metal Connecting Profile
FIN-TEX



This profile is slipped over sheet metal joints (e.g. roof borders) resulting into a movable water-proof joint between the plaster and sheet metal due to its hollow chamber. The sheet metal's equalization movements are buffered by the profile which prevents cracks in the plaster. The finished plaster edge (W45-8 for 8 mm plaster thickness and W45-11 for 11 mm plaster thickness) ensures a well-directed water guiding.

The profiles are joined together with Plug Connectors Z13 and thus form an aligned flush edge

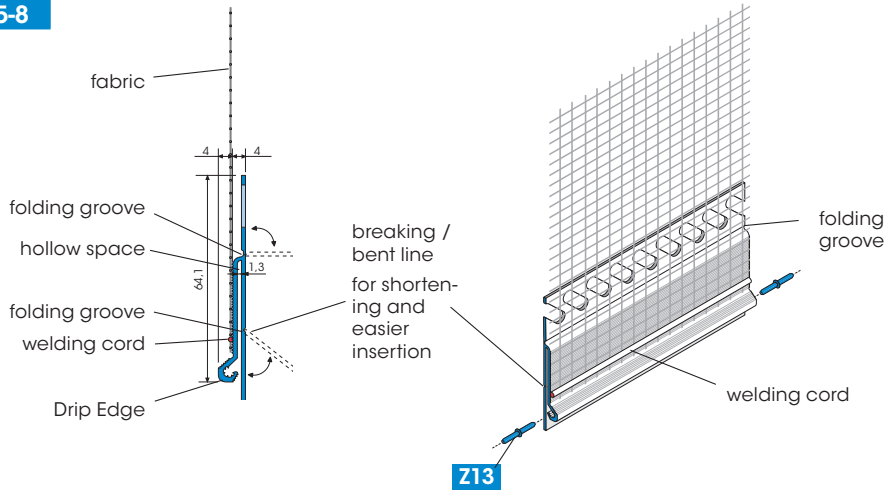
The sheet metal Connecting Profile W45 is made of plastic and equipped with a welded on fabric part. Each profile has an one-sided fabric overhang lengthways.

Available packed unit:

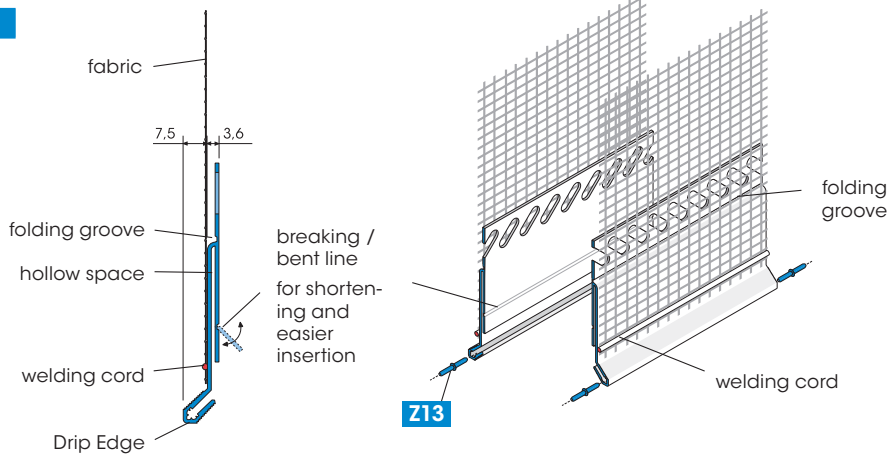
25 bars of 2.00 m = 50.00 m
Plug Connectors are enclosed

For detailed information see technical information sheet or visit us on the Internet at www.apu.ch.

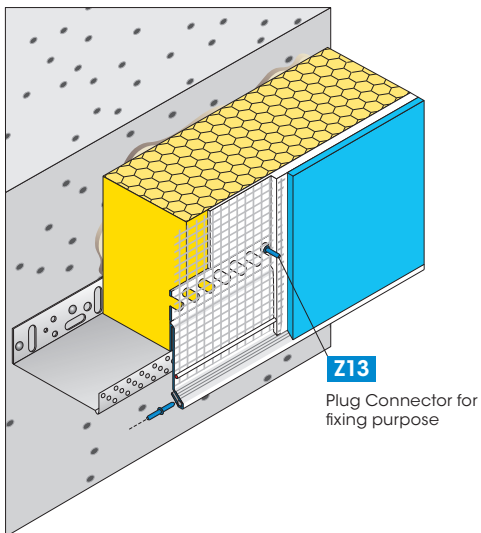
W45-8



W45-11



Application example
base rail



APU[®] APU[®] APU[®]