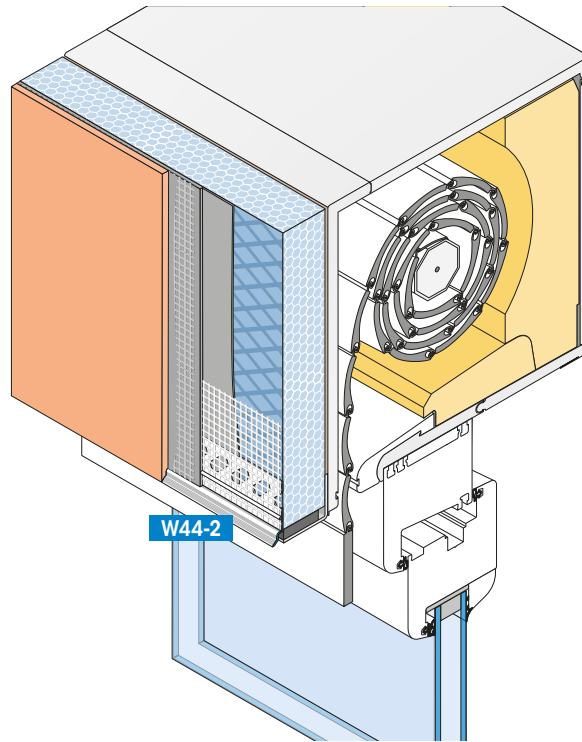


Profiles for external thermal insulation composite systems "ETICS"

W44-2



## APU End Profile DECO-TEX-DUE



The APU end profile DECO-TEX-DUE can be used in composite thermal insulation systems as a bottom plaster edge or as a horizontal plaster separator.

The profile with drip edge has a stepped cross-section with 2 plaster level edges. The first edge defines the plaster layer thickness of the reinforcement layer, the second edge is used for leveling the final plaster. The profile projecting downwards forms a drip edge for a targeted water flow. A fabric strip 12.5 cm wide is welded to the profile. Each bar has a protruding area of fabric in the longitudinal direction.

### Available packed unit:

25 bars of 2.00 m = 50.00 m

For detailed information see technical information sheet or visit us on the Internet at [www.apu.ch](http://www.apu.ch).