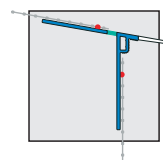
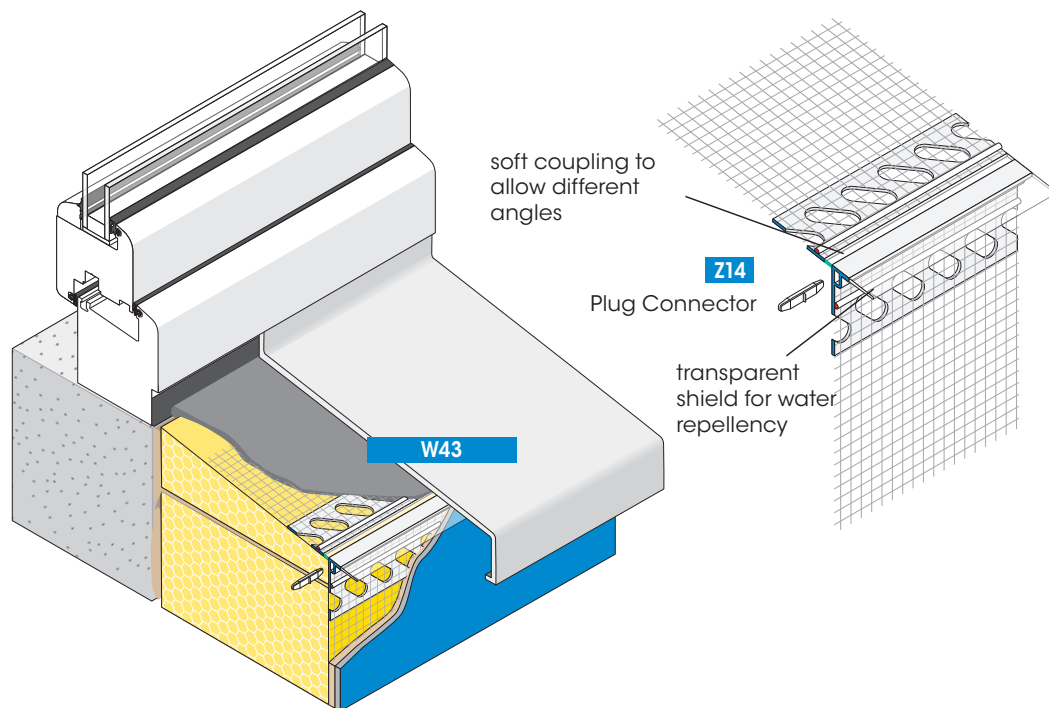


Profiles for external thermal insulation composite systems "ETICS"

W43



APU Border Profile FEBA-DUO-TEX
with soft, transparent water shield



The border profile FEBA-DUO-TEX forms in combination with a second sealing level a clean plaster finish under the window sill.

The profile has 2 plastic legs. The soft and transparent shield for water repellency allows well directed water guidance. Due to the profile design a required angle of at least 5 degrees for window sills is ensured.

Each profile leg is equipped with a welded on fabric part of 12.5 cm wide. The upper leg is used to apply a suitable sealing compound. With its soft coupling to the lower profile leg different angles can be adjusted. The lower plastic leg will be embedded force-fitting with the overlapping facade armor fabrics into the plaster. In addition each leg has an one-sided fabric overhang lengthways. Two profiles are aligned flush and joined together in the contact area with plug connectors.

Available packed unit:

15 bars of 2.00 m = 30.00 m

For detailed information see technical information sheet or visit us on the Internet at www.apu.ch.