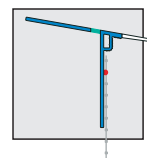
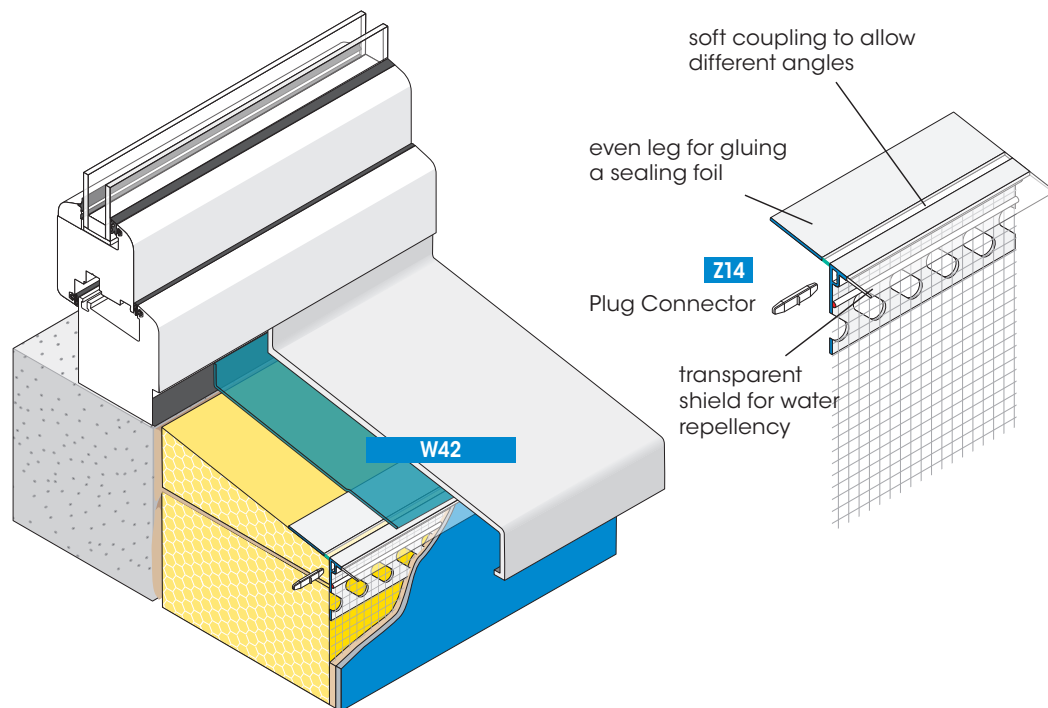


Profiles for external thermal insulation composite systems "ETICS"

W42



APU Border Profile FEBA-TEX-UNI
with soft, transparent water shield



The border profile FEBA-TEX-UNI forms in combination with a second sealing level a clean plaster finish under the window sill.

The profile has 2 plastic legs. The soft and transparent shield for water repellency allows well directed water guidance. Due to the profile design a required angle of at least 5 degrees for window sills is ensured.

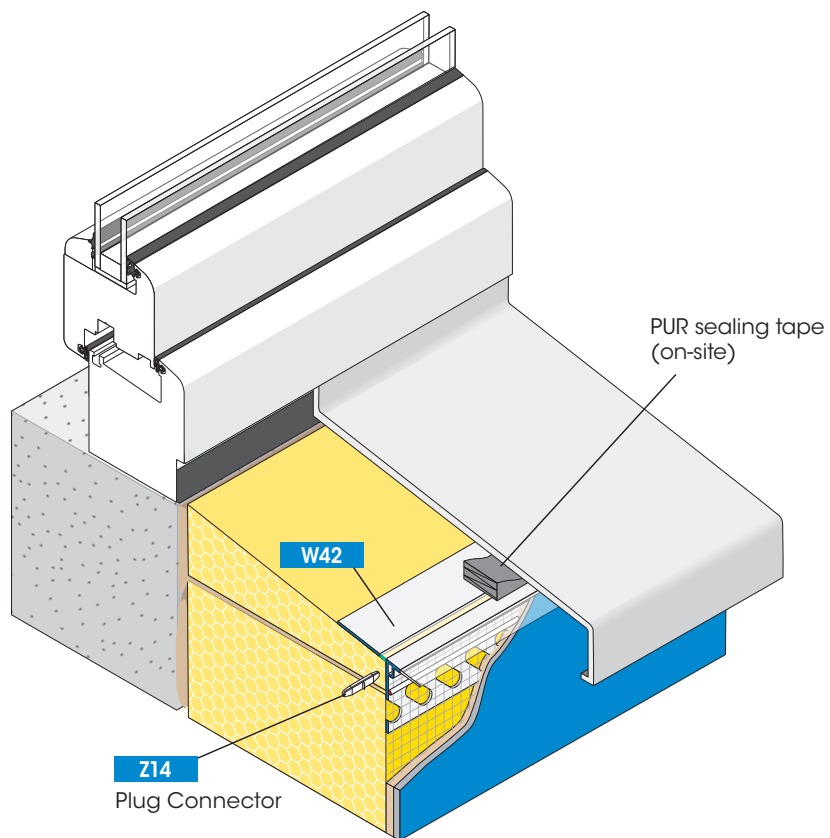
The upper even leg without punches is used to apply a suitable sealing foil. With its soft coupling to the lower profile leg different angles can be adjusted. The lower profile leg is equipped with a fabric part of 12.5 cm wide, welded onto the perforated profile bar with one-sided overhang lengthways. Two profiles are aligned flush and joined together in the contact area with plug connectors.

Available packed unit:

15 bars of 2.00 m = 30.00 m

For detailed information see technical information sheet or visit us on the Internet at www.apu.ch.

Application example with PUR sealing tape



Even without a second sealing level the border profile FEBA-TEX-UNI forms a clean plaster finish under the window sill.

The sealing must be ensured by applying a PUR sealing tape on-site onto the upper profile leg.

Other advantages

- Easy to handle
- Exact edges
- Water repellency