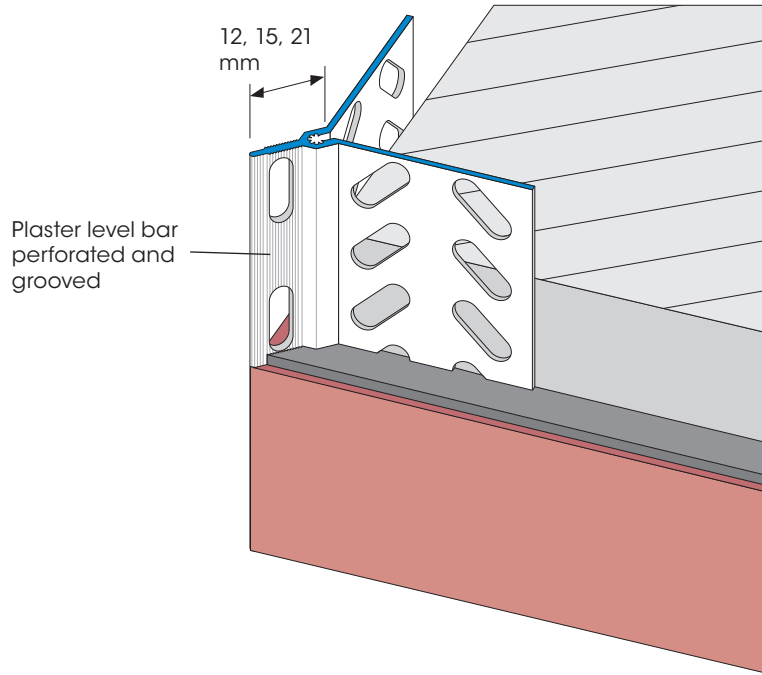


Profiles for interior and exterior plastering

## APU Corner Angle STABILO



APU Corner Angle made of plastic material with laterally perforated flanks and projecting perforated edge. It is suitable for interior or exterior applications.

In the contact area two Corner Angles are joined with the Plug Connectors Z13. The Corner Angles can be cut with the Trimming Shears Z10.

3 different edge projection lengths of 12, 15 or 21 mm can be supplied.

### Available packed unit:

25 bars of 2.00 m = 50.00 m  
incl. Plug Connectors  
*not a shelf item (ask for delivery time)*

For detailed information see technical information sheet or visit us on the Internet at [www.apu.ch](http://www.apu.ch).