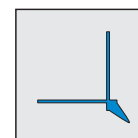
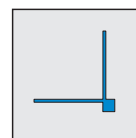


Profiles for interior and exterior plastering

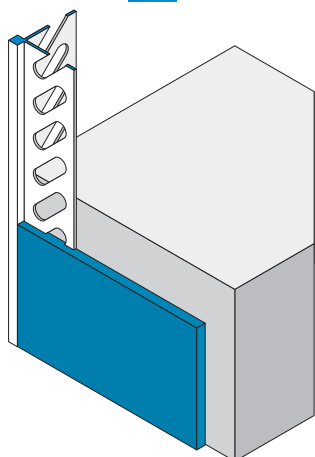
A21

A22



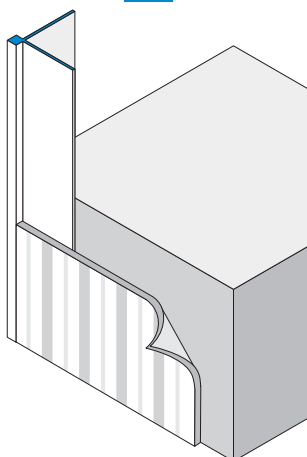
APU Corner Angle DUO
plastic border profiles for corners

A21 perforated



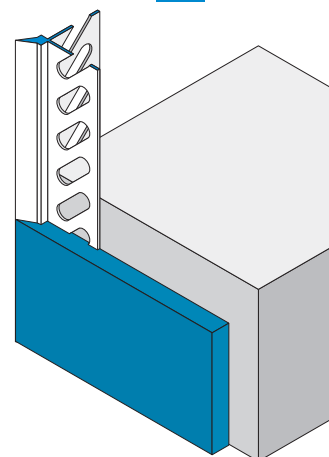
application with thin level plaster

A21 not perforated



application with fabric wallpapers

A22



application with thick level plaster

Plastic border profiles for making accurate edges.

A 21: With visible edge for thin level plasters and fabric wallpapers,
A 22: With covered edge for thick level plasters.

Suitable for humid rooms.

The advantages at a glance:

- Easy to set by pressing into the mortar layer
- Accurate plaster/wallpaper bordering
- Reinforced bump edge
- Protection against corrosion
- Flush edges
- Easy processing with the Trimming Shears Z12
- Low shipping weight

Available packed unit:

A21: 100 bars of 2.00 m = 200.00 m
A22: 50 bars of 2.00 m = 100.00 m

For detailed information see technical information sheet or visit us on the Internet at www.apu.ch.