



W81

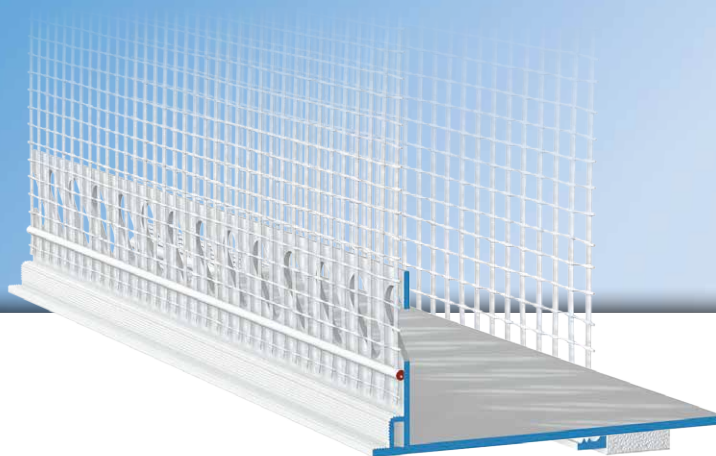


# APU®

PROFILES FOR COMPOUND HEAT INSULATION SYSTEMS

## Joint flank profile

With straight edge and 12.5 cm mesh



The **APU joint flank profile** is used in compound heat insulation systems for flush plaster joints with existing structural components such as door and window elements and frames. It is put directly on top of the insulation at a distance from the structural element. The watertight seal (e.g., with a PUR sealing strip) is not included and must be done in accordance with the respective manufacturer's specifications on planning and dimensions. After completion of the plastering work the profile forms a flush, clean termination of the plaster.

The profile has a welded fabric strip. Each bar has a fabric overhang on one side of 10cm in the lengthways direction. The rear mounting limb is available in 2 different overhang lengths:

W81-30 APU joint flank profile, 30mm limb width

W81-60 APU joint flank profile, 60mm limb width

The included plug connectors (Z14) connect the profiles as a flush joint in the area where the pieces abut. The corner is formed using prefabricated corner pieces (Z81-30 or Z81-60). These are not included in the scope of delivery.



## Design

	ITEM NO.	LENGTH	PACKAGING UNIT	WEIGHT (per PU)
--	----------	--------	----------------	-----------------

### Joint flank profile

<b>W81 - 30</b>				
30 mm wide, with straight edge and 12.5 cm mesh	<b>W81-2530</b>	2.5 m	15 bars = 37.5 m	6.4 kg
<b>W81 - 60</b>				
60 mm wide, with straight edge and 12.5 cm mesh	<b>W81-2560</b>	2.5 m	15 bars = 37.5 m	9.6 kg

## Features

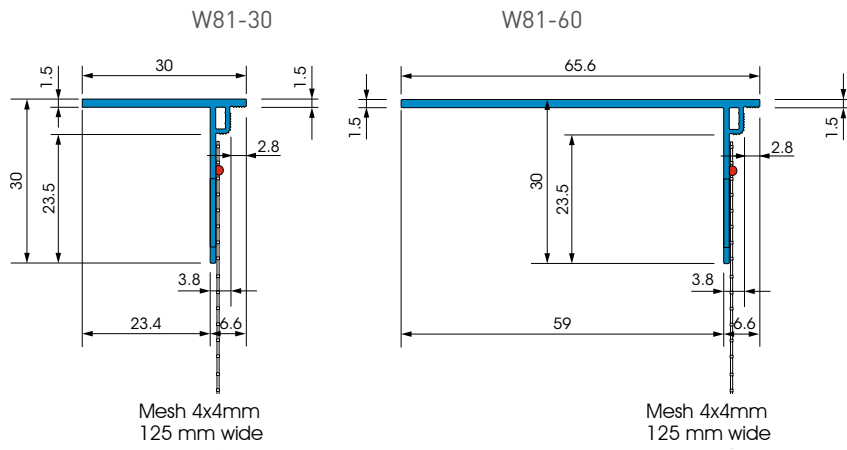
	JOINT FLANK PROFILE
Material	<ul style="list-style-type: none"> <li>■ Rigid PVC manufactured under DIN-16941</li> </ul>
Mesh	<ul style="list-style-type: none"> <li>■ Min. 160 g/m<sup>2</sup> approved for compound heat insulation systems</li> <li>■ 12.5 cm wide – MW 4x4 mm</li> <li>■ Ultrasonic welded</li> </ul>
Accessories	<ul style="list-style-type: none"> <li>■ Z14-2000 APU plug connectors, small</li> </ul>
Optional accessories	<ul style="list-style-type: none"> <li>■ Z81-0030 APU joint flank profile, corner piece, 30 mm limb width</li> <li>■ Z81-0060 APU joint flank profile, corner piece, 60 mm limb width</li> </ul>

## Important information

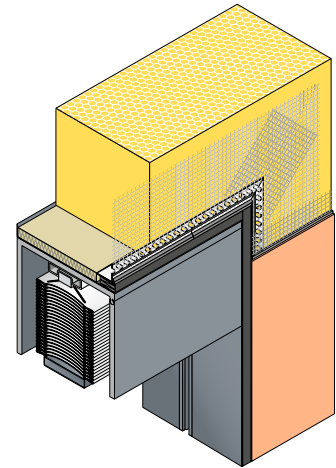
Storage	Always store profiles laid down in a dry place.
Scope of delivery	The sealing tape/strip is not included with the product.
Other applications	Any applications not clearly described in the documents may be implemented only after consultation with the plaster or ETICS manufacturer.
Selection criteria	Adhere to the latest APU selection criteria. ▶ <i>see APU selection criteria</i>

For information on materials, areas of use, tests and correct application, please refer to our 'General Advice and Information'

## Design



Sectional drawing in mm



Application drawing