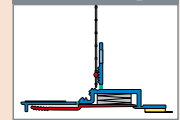




W38 - flex - pro



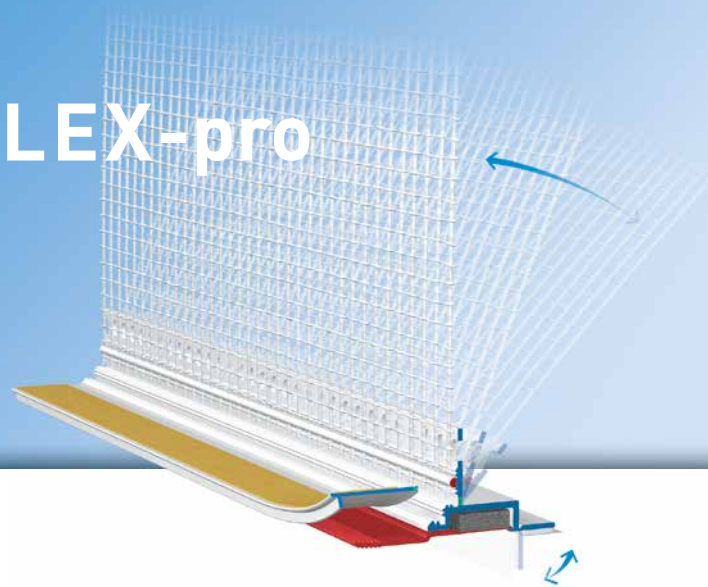
# APU®

PROFILES FOR COMPOUND HEAT INSULATION SYSTEMS

## Fabric joint profile

# PUR-FIX-FLEX-pro

Suitable for various  
component connections



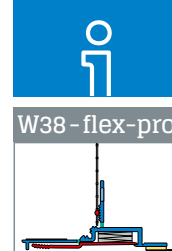
The **APU fabric joint profile PUR-FIX-FLEX-pro** is used in compound heat insulation systems as specified in the latest APU selection criteria. By virtue of its flexible characteristics on the fixation flank and plaster bar it can also be used, for example, for recesses with a lighting wedge, for GFB base elements and in many other installation situations. What is created after completion of the plastering work is a clean and safe termination of the plaster with shadow gap.

The profile comes with an expanding PUR sealing strip, which ensures a watertight, lasting seal without any sticking directly to the structural element. The PUR sealing strip is impacted lengthways in the profile and has an overhang for sealing the joint. The PUR sealing strip is able to absorb relatively large movements in the area around the joint. There is a fabric fillet welded onto the flexible plaster bar. This enables the formation of connections with different inclines and angles.

Depending on the need for space, the flexible fixation flank can be folded over or removed. Each bar has a fabric overhang on one side of 10cm in the lengthways direction. There is a piece of self-adhesive tape on protective flap in order to secure the third-party protective film. This protects the window ahead of the plastering tasks.

After completion of the work the protective flap and the red activation tab are removed and what is created is a clean plaster edge.

Thanks to its flexibility the profile can thus be universally used in the area of connections.



## Design

	ITEM NO.	LENGTH	PACKAGING UNIT	WEIGHT (per PU)
--	----------	--------	----------------	-----------------

### Gewebeleiste PUR-FIX-FLEX-pro

W38-flex-pro With 12.5 cm mesh	<b>W38-24FLEX-PRO</b>	2.4 m	25 bars = 60 m	12.5 kg
-----------------------------------	-----------------------	-------	----------------	---------

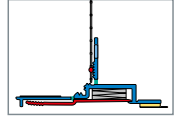
## Features

	PUR-FIX-FLEX-PRO FABRIC JOINT PROFILE
Material	Rigid PVC manufactured under DIN-16941 TPE manufactured under DIN-16941
Protective flap	Detachable with soft TPE connection and double-sided adhesive tape
Fixation	<ul style="list-style-type: none"> <li>■ PE foam tape 6 x 1 mm</li> <li>■ alternatively Z21 plastic nails</li> </ul>
Seal	<ul style="list-style-type: none"> <li>■ PUR sealing tape, 10 mm, type BG1</li> <li>■ Watertight for joints of 3-9mm</li> </ul>
Mesh	<ul style="list-style-type: none"> <li>■ Min. 160 g/m<sup>2</sup> approved for compound heat insulation systems</li> <li>■ MW 4x4 mm</li> <li>■ Ultrasonic welded</li> </ul>
Accessories	Z21-0000 plastic nails
Inspections	<ul style="list-style-type: none"> <li>■ VDPM leaflet: Class A without adhesive connection</li> <li>■ Ö-Norm 6400-2: Class III</li> </ul>

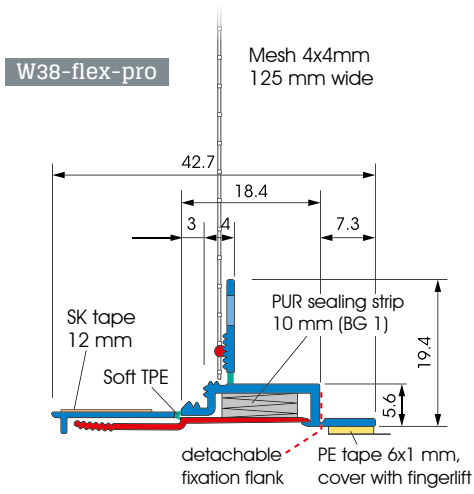
## Important information

Storage	Always store profiles laid down in a dry place.
Test of adhesion	No test of adhesion required.
Other applications	Any applications not clearly described in the documents may be implemented only after consultation with the plaster or ETICS manufacturer.
Selection criteria	Adhere to the latest APU selection criteria. ▶ <i>see APU selection criteria</i>

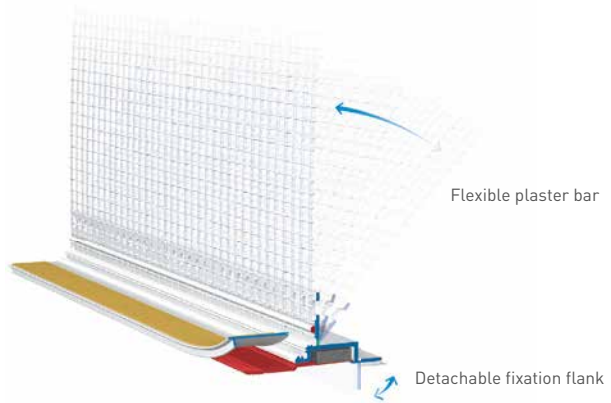
For information on materials, areas of use, tests and correct application, please refer to our 'General Advice and Information'



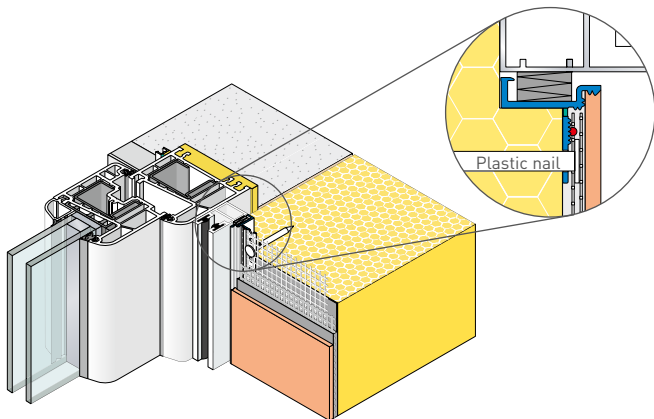
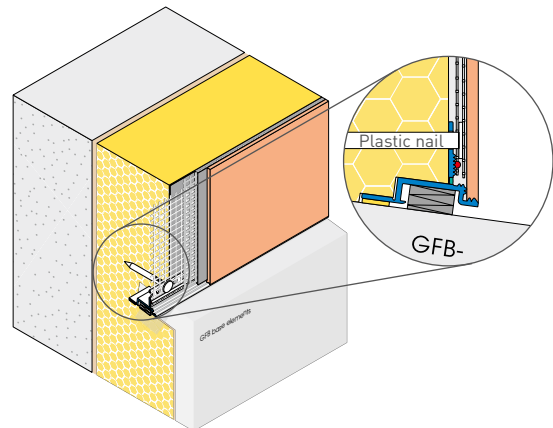
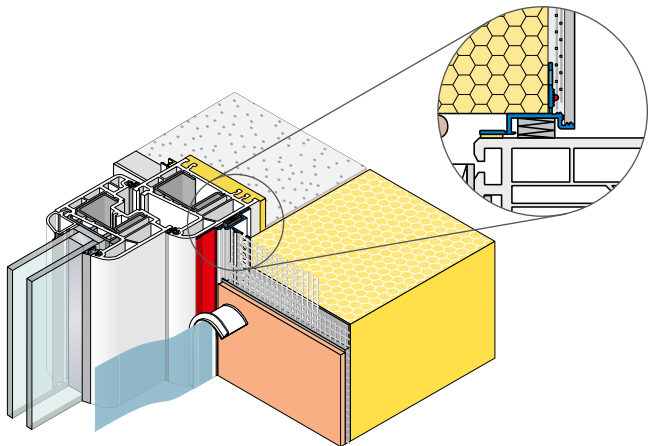
### Details



Sectional drawing in mm



Function



Application drawings